

CAPS FOR MOUNTING RAILS



DATA SHEET
ART. 9664-KAPPE40

ART. 9664-KAPPE40

TECHNICAL SPECIFICATIONS

| | |
|-----------------|---|
| Material | Plastic |
| Quality | Acrylnitril-Butadien-Sytrrol-Co-polymer (ABS) |
| Colour | Anthracite grey (RAL 7016) |

YOUR ADVANTAGES



LOW WEIGHT



GOOD RESITANCE AGAINST CHEMICAL SUB-STANCES



SOLID WEATHER RESISTANCE

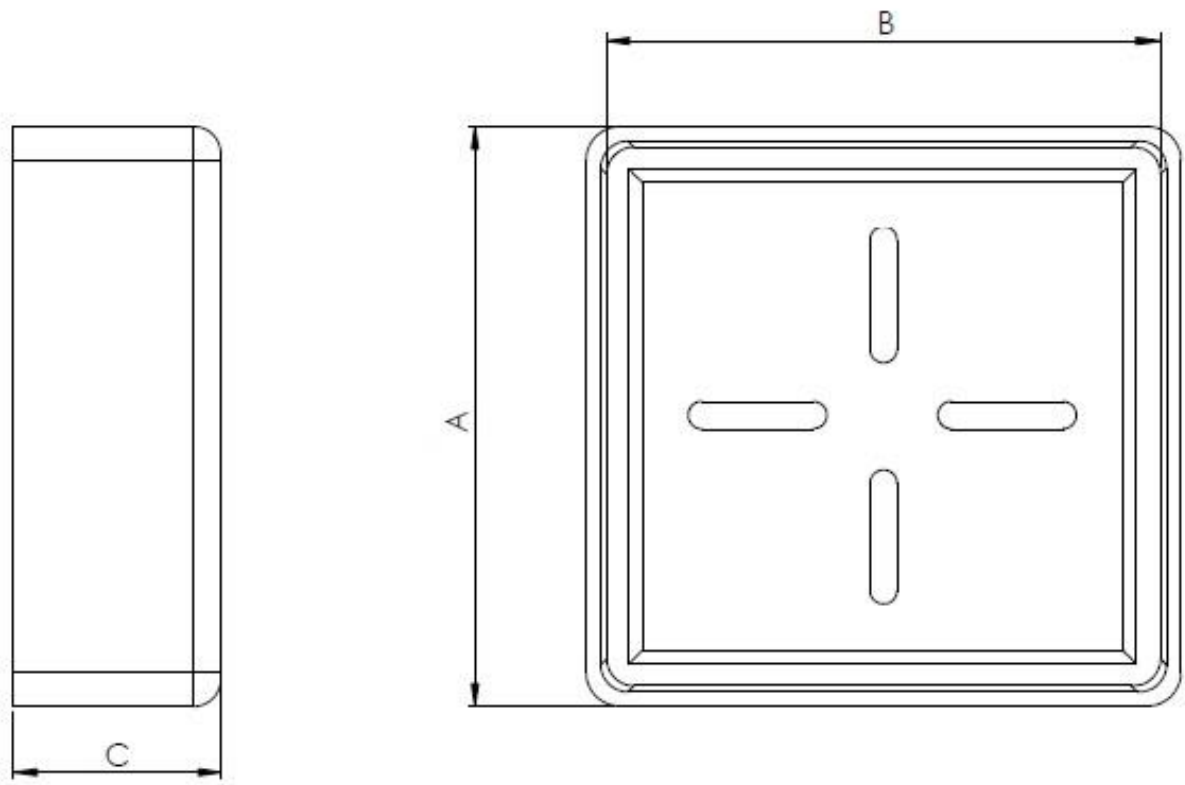
PRACTICES



COVERING OF PV-PROFILES

WE'D BE PLEASED TO ADVISE WITH YOUR APLICATION.

DIMENSIONS (MM)



| | |
|---|-------|
| A | 43 mm |
| B | 40 mm |
| C | 15 mm |

WE'D BE PLEASED TO ADVISE WITH YOUR APLICATION.