

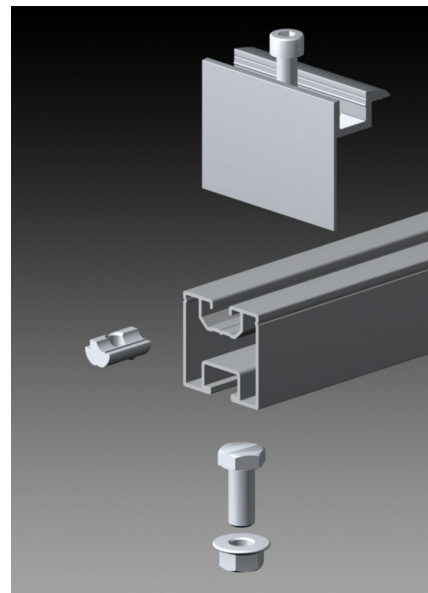
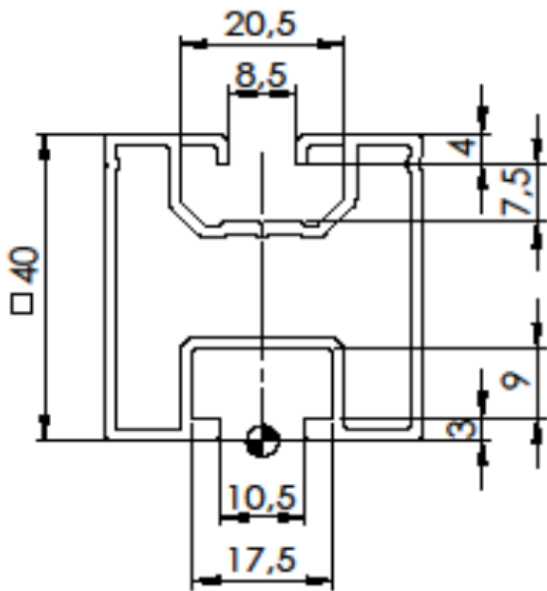


Art. 9664 W1

Profilo Solar per tassello scorrevole M 8 sezione mm. 40x40, Alluminio

Solar mounting rail for slot nut M 8, section mm. 40x40, Aluminum

Codice Articolo Item Number	L Profilo (mm) L mounting rail (mm)	 Box	 Pallet
96640100002	6400	5	100
96640130502	3200	5	100



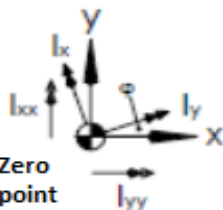
m'	0.921 kg/m
l _{xx}	66533 mm ⁴
l _{xy}	0 mm ⁴
l _{yy}	65681 mm ⁴
l _{yx}	0 mm ⁴
l _x	66533 mm ⁴
l _y	65681 mm ⁴
φ	0 Grad
W _p	132215 mm ⁴
A	340.8 mm ²
S _x /S _y	0 mm / 20.05 mm

$$W_x = l_x / (20) \text{ mm}$$

$$W_x = 3327 \text{ mm}^3$$

$$W_y = l_y / (20.05) \text{ mm}$$

$$W_y = 3276 \text{ mm}^3$$



Zero point

Coordinates of the centre of gravity
S_x/S_y referred to zero point

last edit 27/04/2022

DRAWING N. 1124